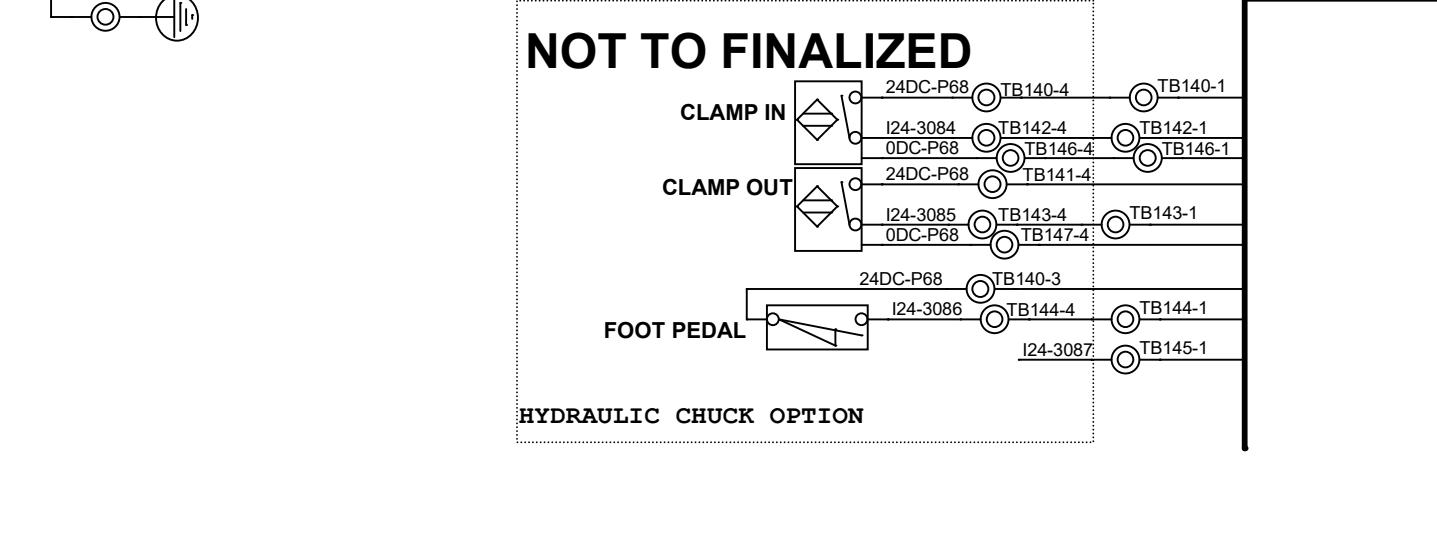
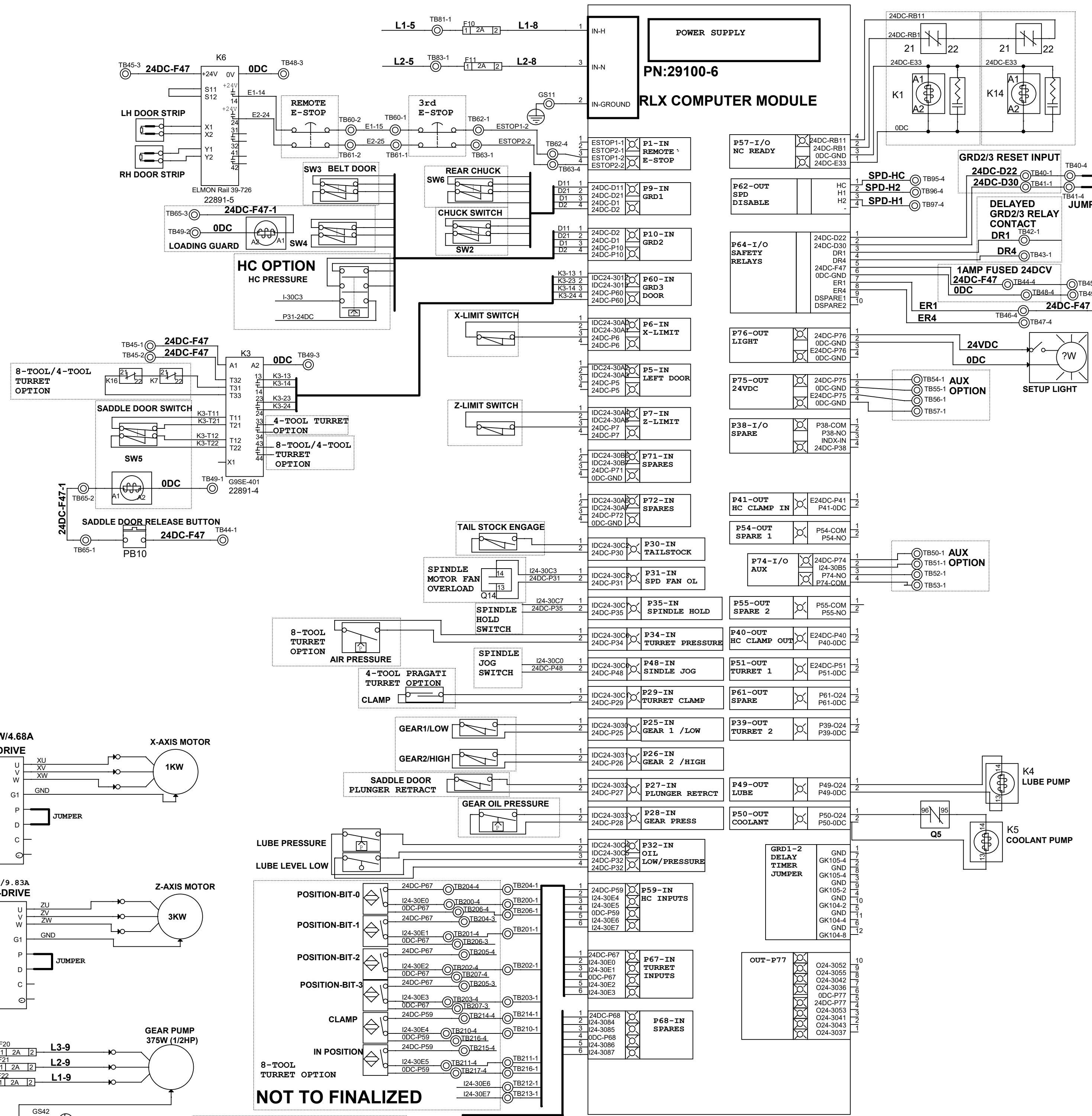
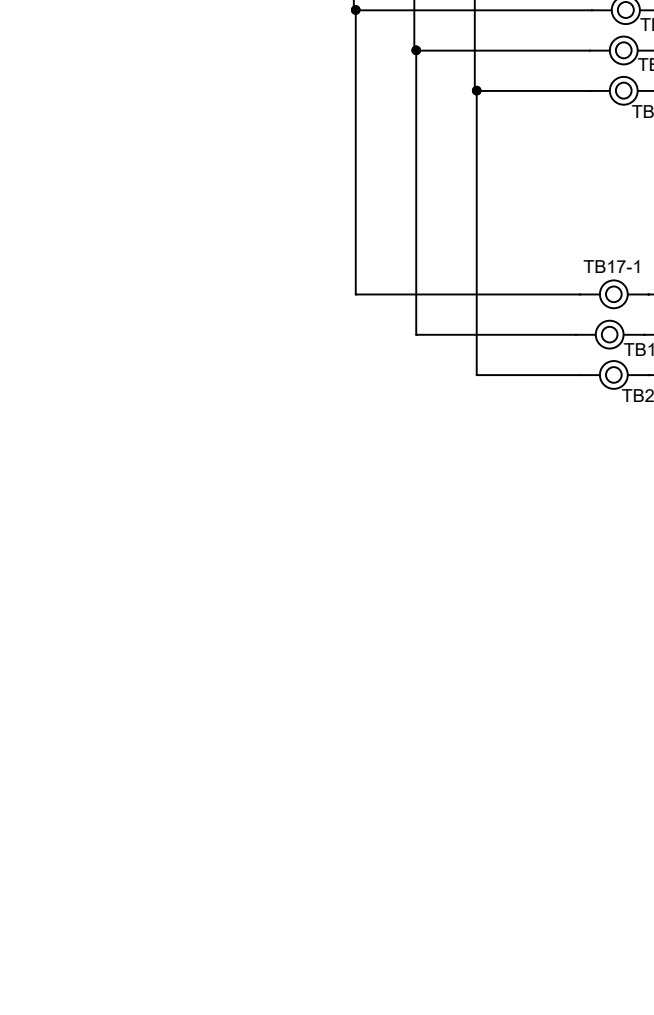
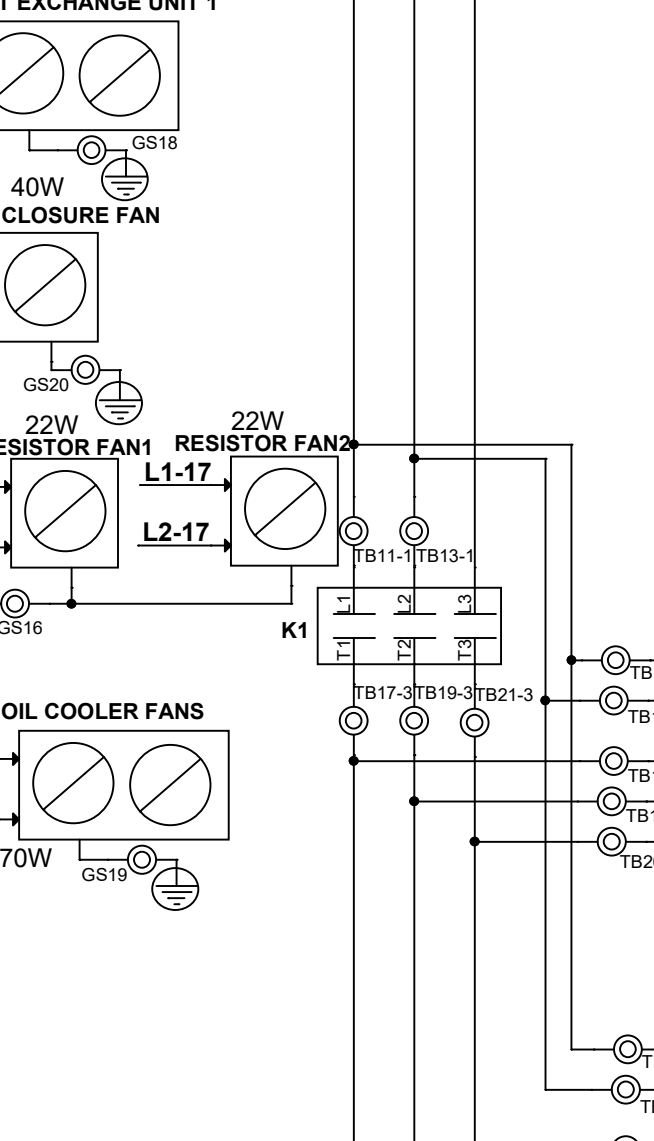
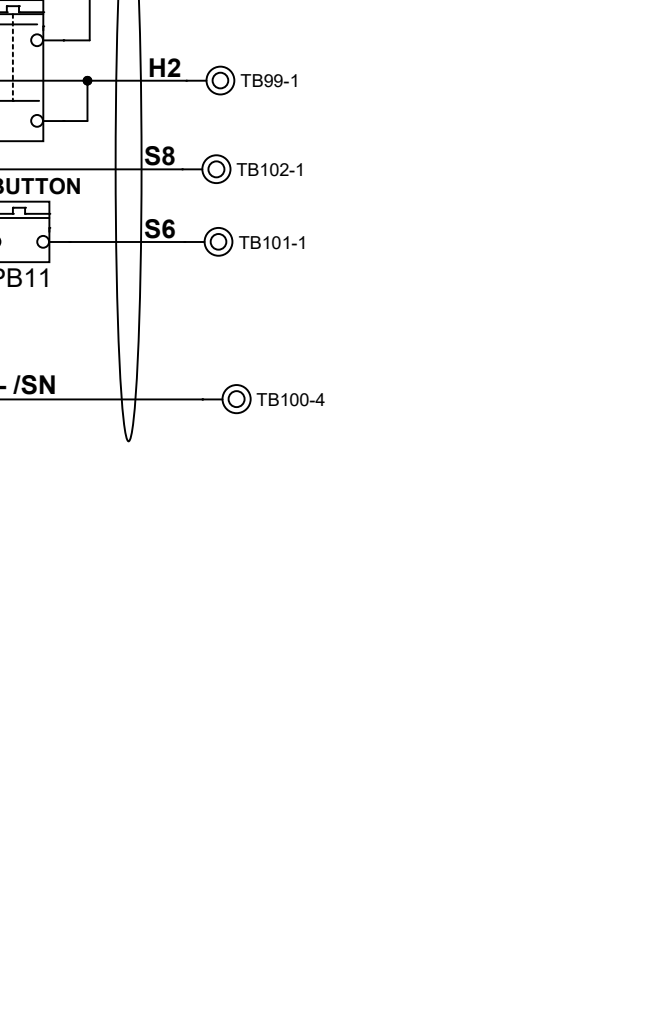
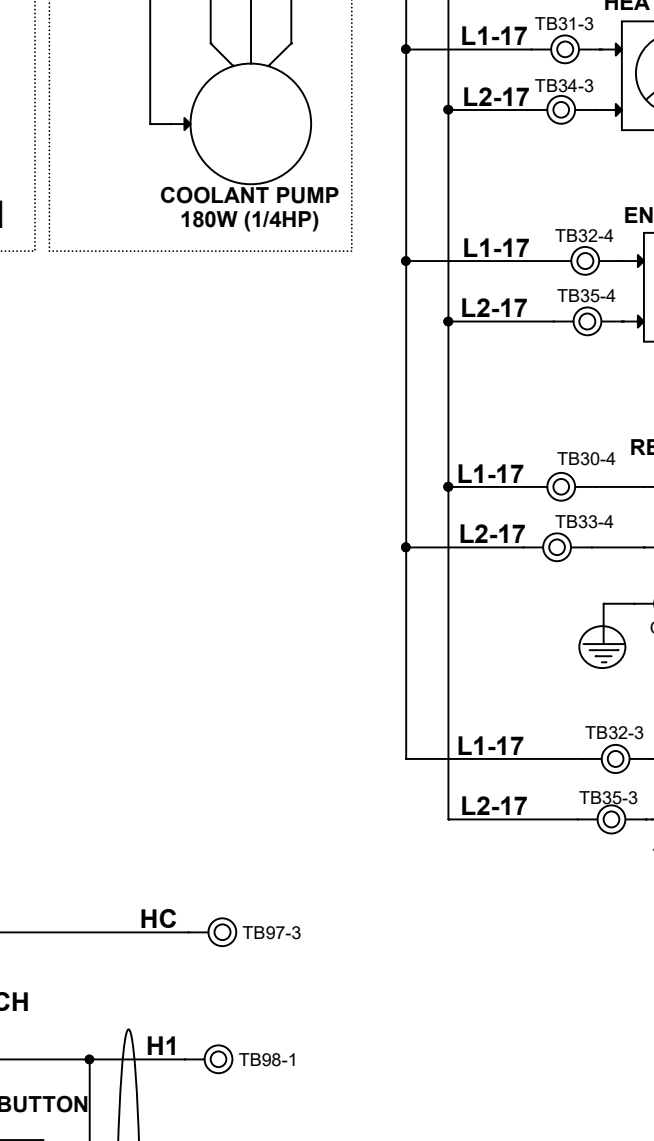
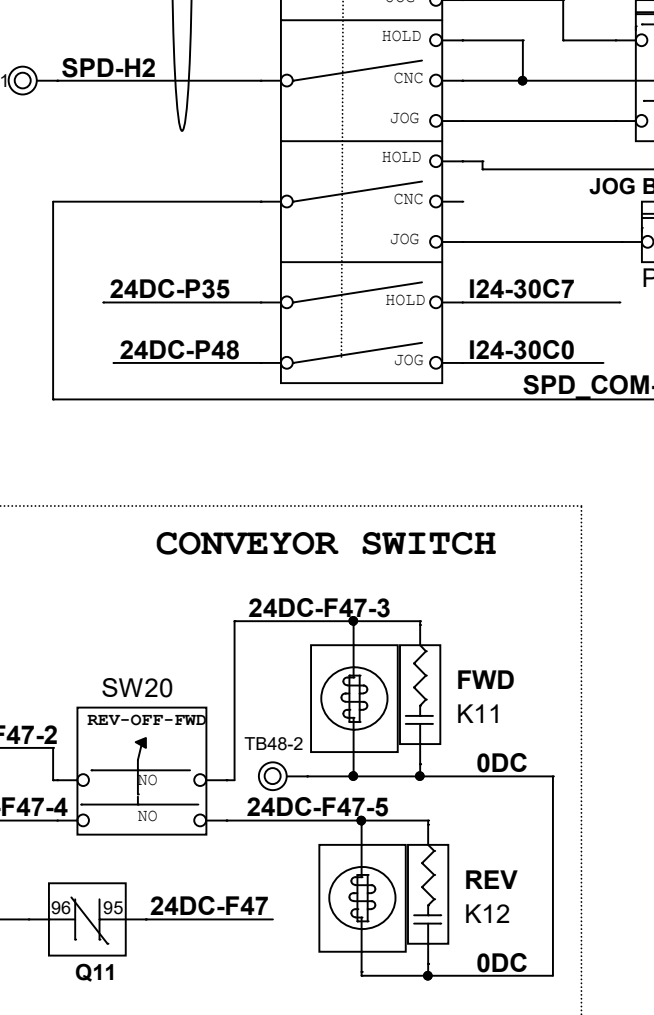
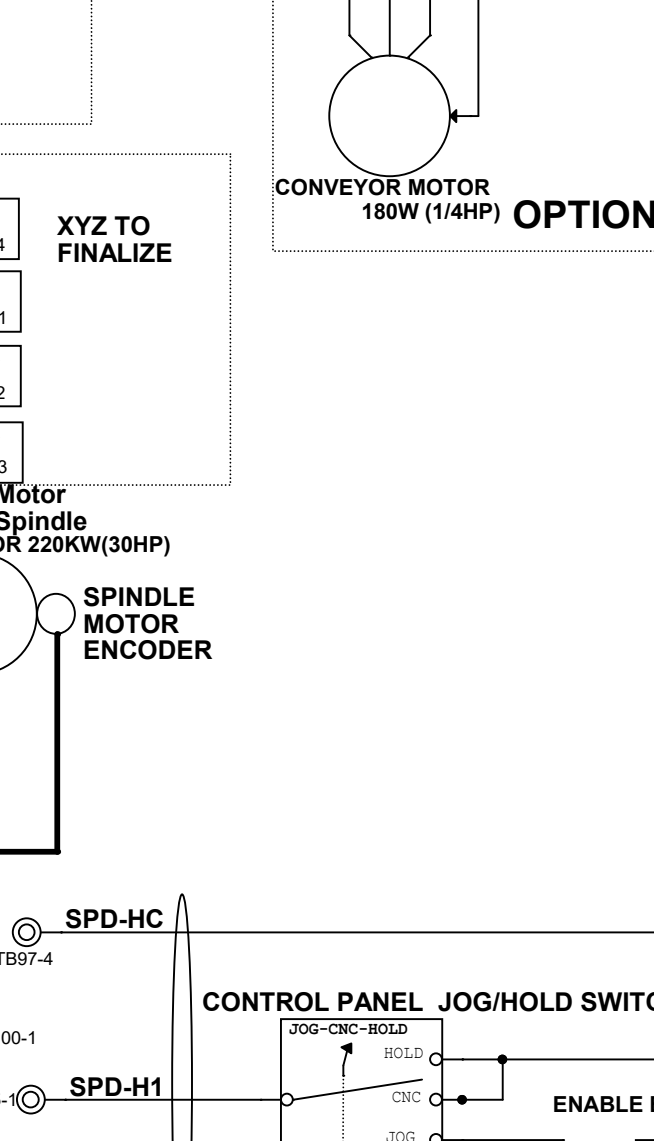
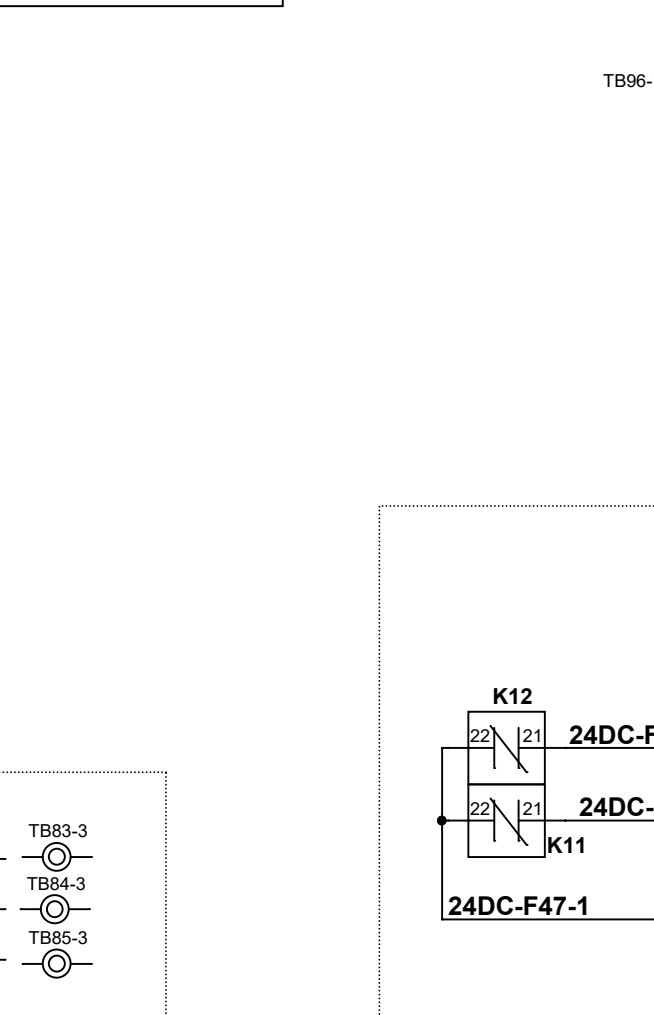
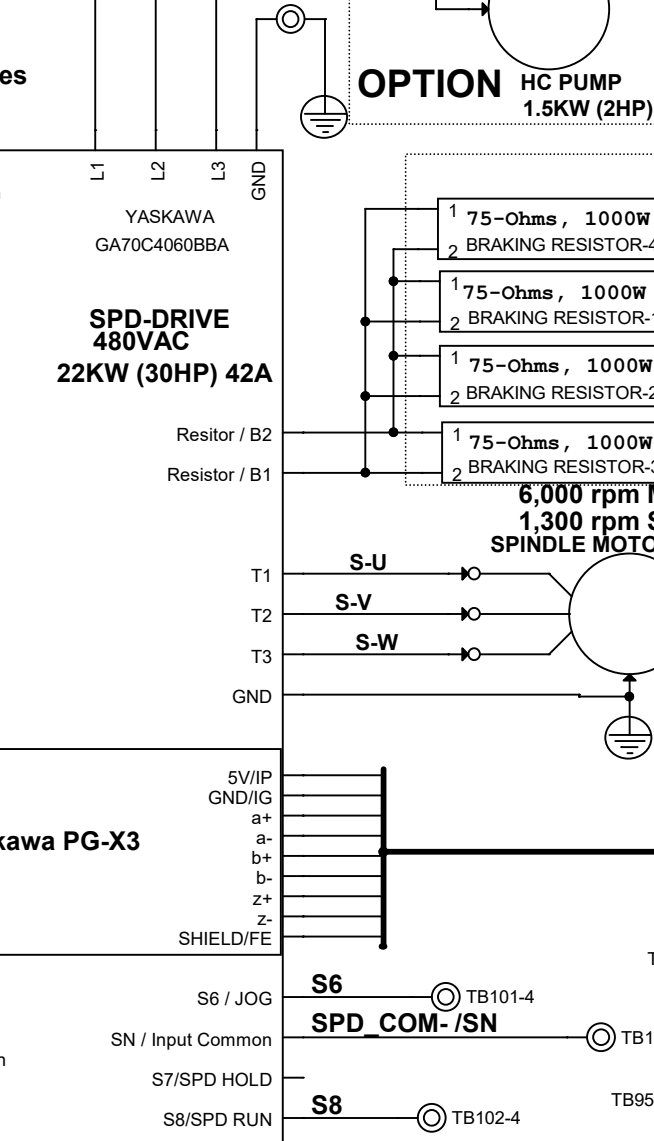
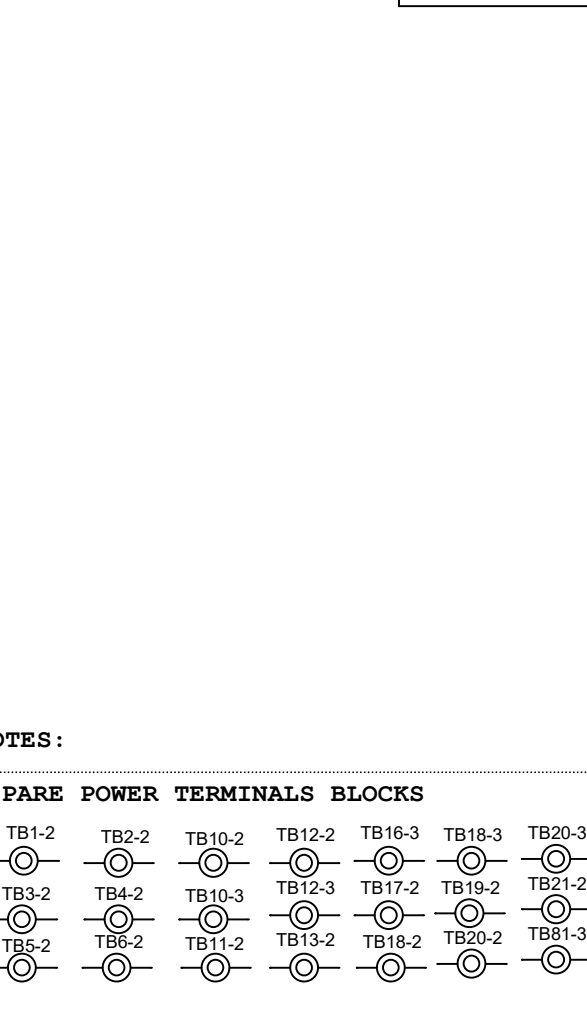
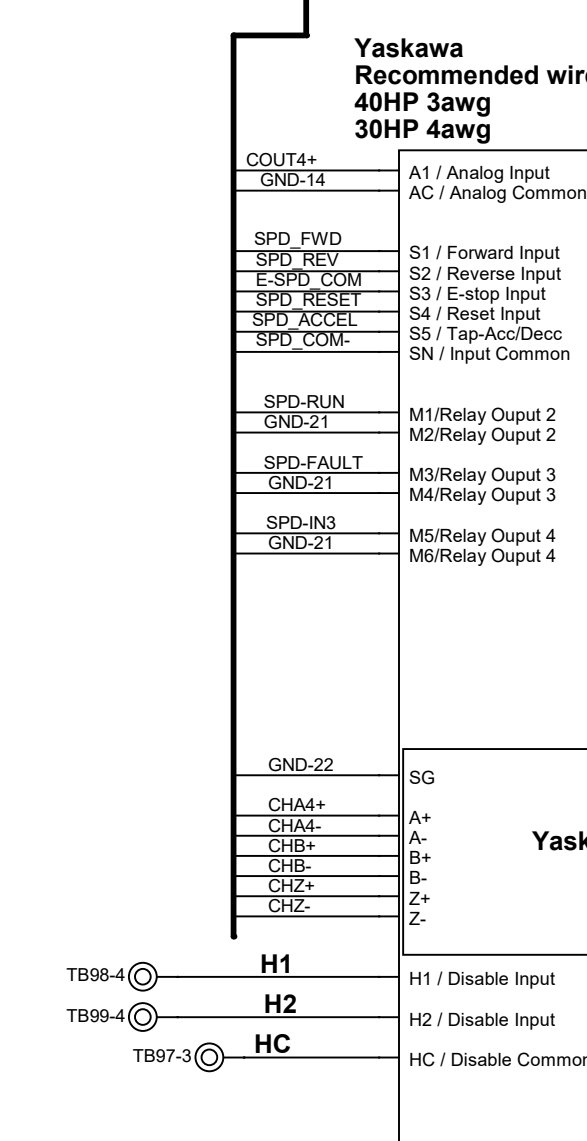
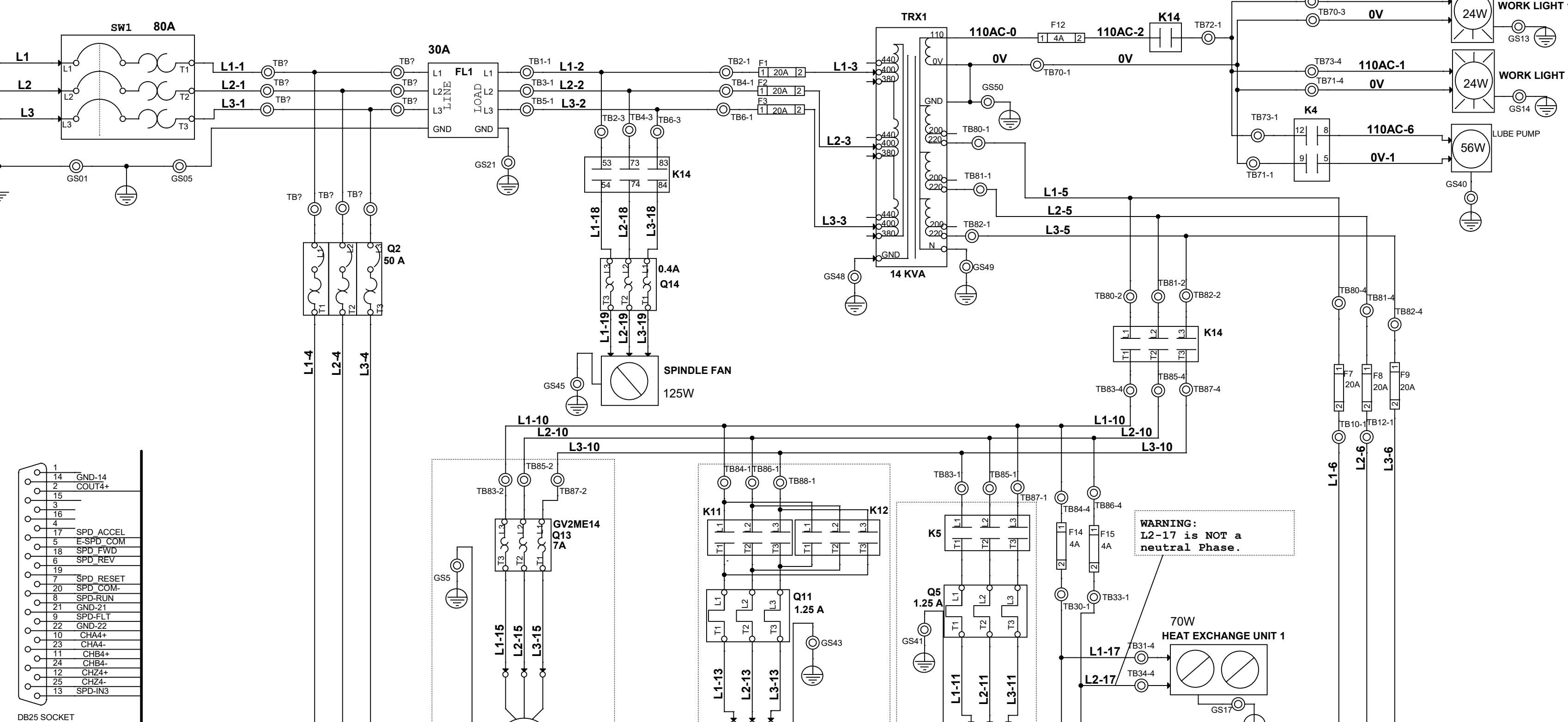


400VAC INPUT



APPROVALS		DATE	Southwestern Industries, Inc. 2615 Homestead Place. Rancho Dominguez, CA 90220
DRAWN BY	R.O	5/13/2014	
ENGINEER	R.O.	5/13/2014	
CHECKER			
SCHEMATIC-ELECTRICAL			
RLX-780 EURO LATHE			
Size	CAGE Code	DWG NO	Rev
D		29106-18-SCH	18
Scale		Sheet	